

Air springs suspension RENAULT MASTER | OPEL MOVANO, strengthening kit RM-2 R-2

APPLICATION – RENAULT MASTER i OPEL MOVANO set , kit –
pneumatic suspension – reinforcement of springs

RENAULT MASTER- 3 YEAR OF PRODUCTION: **III 2010 – IX 2024**
DRIVE: **front axle** WHEEL: **single**

OPEL MOVANO-2 YEAR OF PRODUCTION: **2010 – 2022**
DRIVE: **front axle** WHEEL: **single**

A set includes all necessary components allowing for easy installation, with no interference in a vehicle suspension. Air springs are screwed in the place of a rubber buffer (NO need of cutting, welding, making additional details).

Required pressure in a pneumatic set:

min. 1 atm.

max. 8 atm.

Pressure to be regulated depending on a vehicle load.

POSSIBILITY TO BUY SPARE PARTS FOR A SET (air springs, manometers, connecting pieces etc.).

[CHECK THIS SET ON THE AIR SPRNGS WITH A LARGER LOAD CAPACITY !](#)

[Learn more...](#)

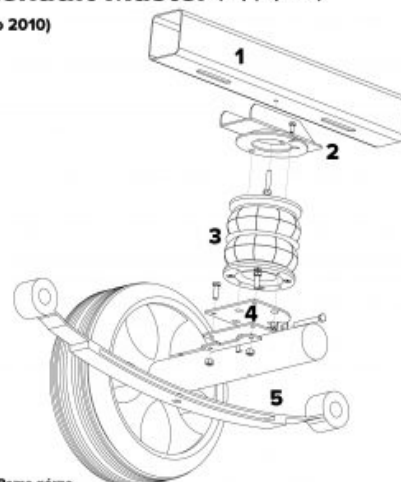
MANUFACTURER – Rołgum, Poznań, PL



Sposób montażu poduszki pneumatycznej

Renault Master (napęd przód)

(po 2010)



- 1 - Rama górna
- 2 - Płyta górna
- 3 - Poduszka powietrzna Rubena 170/2
- 4 - Płyta dolna
- 5 - Resor

* - stosować podkładki pod śruby i nakrętki!

