

Air springs suspension RENAULT MASTER | OPEL MOVANO, strengthening kit RM-2 KRD-1

APPLICATION – RENAULT MASTER i OPEL MOVANO set , kit –
pneumatic suspension – reinforcement of springs

RENAULT MASTER -3 YEAR OF PRODUCTION: **III 2010 – IX 2024**
DRIVE: **front axle** WHEEL: **single**

OPEL MOVANO 2 YEAR OF PRODUCTION: **2010 – 2022**
DRIVE: **front axle** WHEEL: **single**

A set includes all necessary components allowing for easy installation, with no interference in a vehicle suspension. Air springs are screwed in the place of a rubber buffer (NO need of cutting, welding, making additional details).

Required pressure in a pneumatic set:

min. 1 atm.

max. 8 atm.

Pressure to be regulated depending on a vehicle load.

POSSIBILITY TO BUY SPARE PARTS FOR A SET (air springs, manometers, connecting pieces etc.).

PERFECT FOR USE IN VEHICLES WITH A TOTAL WEIGHT OF UP TO 6 TONNES

Rolling lobe air springs (straight air springs) are characterized by a bigger scope of operational heights and more effective reduction of vibration (smooth operation due to rolling down the piston of an air spring). Because of the load capacity larger by 100% (1.5 t / 1 air bag) in comparison with double convoluted type of air springs (snowman type) with similar dimensions, straight air springs can be used in vehicles with a bigger total weight.

[Learn more...](#)

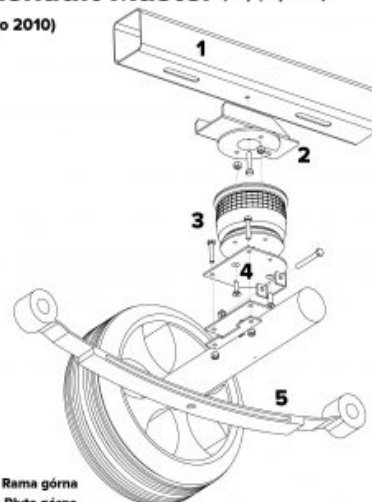
MANUFACTURER – Rolgum, Poznań, PL



Sposób montażu poduszki pneumatycznej

Renault Master (napęd przód)

(po 2010)



- 1 - Rama górna
 - 2 - Płyta górna
 - 3 - Poduszka powietrzna Rolgum RZ-140-160
 - 4 - Płyta dolna
 - 5 - Resor
- * - stosować podkładki pod śruby i nakrętki!

