

# Air springs suspension MERCEDES SPRINTER 901, 902, 903 strengthening kit MS-1 R-2

**APPLICATION** – pneumatic suspension MERCEDES SPRINTER 901, 902, 903 , set , kit – reinforcement of springs

YEAR OF PRODUCTION: **I 1995 – V 2006**                      DRIVE: **rear axle**  
WHEEL: **single**

A set includes all necessary components allowing for easy installation, with no interference in a vehicle suspension. Air springs are screwed in the place of a rubber buffer (NO need of cutting, welding, making additional details).

Required pressure in a pneumatic set:

min. 1 atm.

max. 8 atm.

Pressure to be regulated depending on a vehicle load.

POSSIBILITY TO BUY SPARE PARTS FOR A SET (air springs, manometers, connecting pieces etc.).

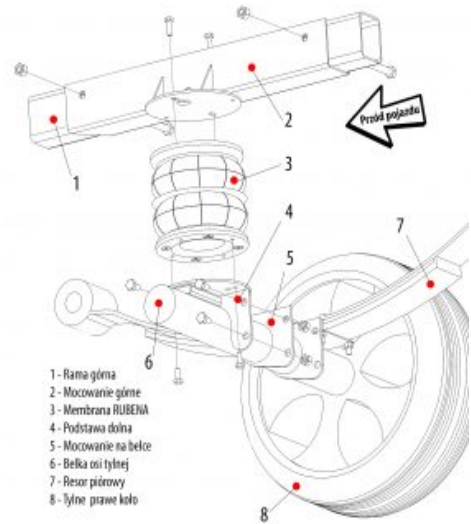
[CHECK THIS SET ON THE AIR SPRNGS WITH A LARGER LOAD CAPACITY !](#)

[Learn more...](#)

**MANUFACTURER** – *Rołgum, Poznań, PL*



Sposób montażu poduszki pneumatycznej  
**MERCEDES SPRINTER MS-1**  
 od 1995 do V 2006 napęd tyl. poj. koło (prawa strona)



- 1 - Rama górną
- 2 - Mocowanie górne
- 3 - Membrana RUBENA
- 4 - Podstawa dolna
- 5 - Mocowanie na belce
- 6 - Belka osi tylnej
- 7 - Resor piórowy
- 8 - Tyłne prawe koło

Rolgum S.C. ul. Splawie 64 61-312 Poznań

