

Air springs suspension D0 IVECO DAILY 60C, 65C, 70C TWIN strengthening kit ID-4 R-1

APPLICATION – pneumatic suspension IVECO DAILY 60C 16-18 , 65C 16-18, 70C 16-21 , set , kit – reinforcement of springs na osi fi 102

YEAR OF PRODUCTION: VII 1999 and newer / 70c od VII 2006r.

DRIVE: rear axle WHEEL: twin

A set includes all necessary components allowing for easy installation, with no interference in a vehicle suspension. Air springs are screwed in the place of a rubber buffer (NO need of cutting, welding, making additional details).

Required pressure in a pneumatic set:

min. 1 atm.

max. 8 atm.

Pressure to be regulated depending on a vehicle load.

POSSIBILITY TO BUY SPARE PARTS FOR A SET (air springs, manometers, connecting pieces etc.).

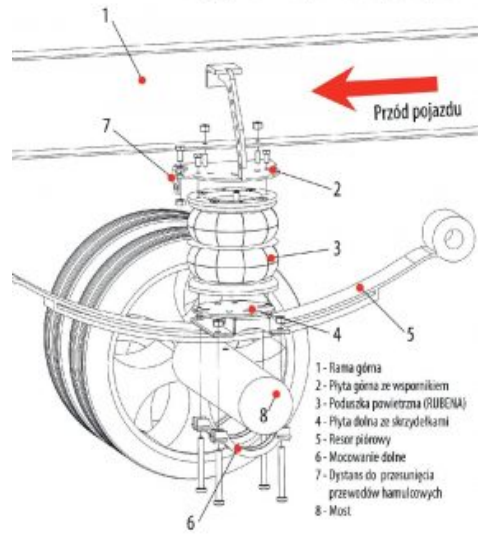
[CHECK THIS SET ON THE AIR SPRNGS WITH A LARGER LOAD CAPACITY !](#)

[Learn more...](#)

MANUFACTURER – *Rołgum, Poznań, PL*



Sposób montażu poduszki pneumatycznej
ID-4 IVECO DAILY
 Napęd tył - bliźniak (prawa strona) 65C/70C



Rolgum S.C. ul. Splawie 64 61-312 Poznań

