

Air springs suspension IVECO DAILY 29-35 L-S strengthening kit ID-2 R-2 box van

APPLICATION – pneumatic suspension IVECO DAILY 29-35 L-S , set , kit– reinforcement of springs

IVECO DAILY S2000 29-35 L-S 9-17 IVECO DAILY MY 2006
29-35 L-S 10-18 IVECO DAILY MY 2012 29-35 L-S 10-18

ONLY FOR BOX VAN / CHASIS CAB ! Not for van.

Only for Iveco models with an axle under the spring.

YEAR OF PRODUCTION: VI 1999 – II 2014 (oś pod resorem)

DRIVE: rear axle WHEEL: single

A set includes all necessary components allowing for easy installation, with no interference in a vehicle suspension. Air springs are screwed in the place of a rubber buffer (NO need of cutting, welding, making additional details).

Required pressure in a pneumatic set:

min. 1 atm.

max. 8 atm.

Pressure to be regulated depending on a vehicle load.

POSSIBILITY TO BUY SPARE PARTS FOR A SET (air springs, manometers, connecting pieces etc.).

[CHECK THIS SET ON THE AIR SPRNGS WITH A LARGER LOAD CAPACITY !](#)

[Learn more...](#)

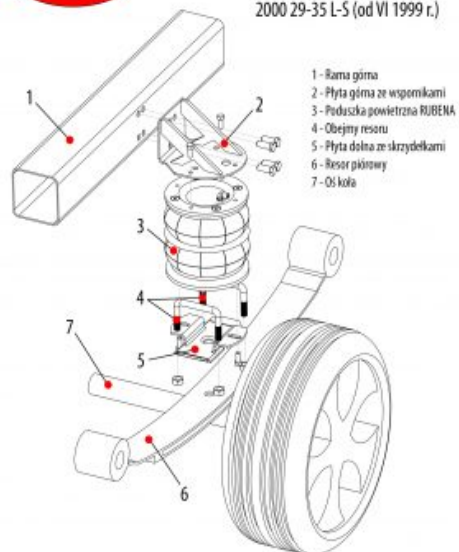
MANUFACTURER – Rołgum, Poznań, PL



Sposób montażu zestawu wzmacniającego

ID-2 IVECO DAILY

2000 29-35 L-S (od VI 1999 r.)



Rolgum S.C. ul. Splawie 64 61-312 Poznań

