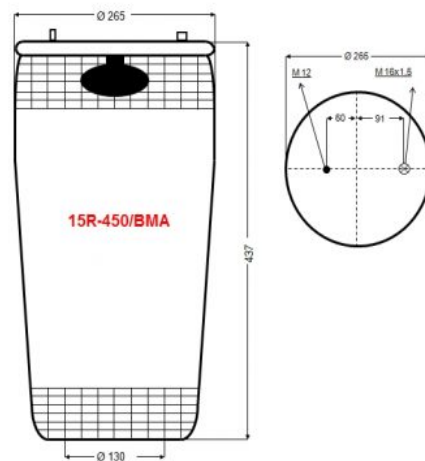


# AIR SPRING 4862N1P01 CONTI 4862 N1 P01 , 81436010168 – service assembly 15R-450/BMA

**APPLICATION** – MAN

**REPLACES** – air spring bellows , luftfederbalg Contitech  
4862N1P01 , 4862 N1 P01 , 81.43601.0168 , 81436010168 , DT  
3.66433 , DT 366433 , V1DF16B-1NP

**MANUFACTURER** – Rolgom, Poznań, PL



CONTITECH 4862 N1P01  
Zastosowanie: Man TGL